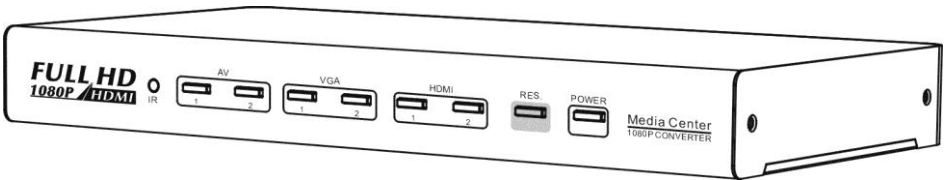


# HDMI Media Center

## 6 inputs 1 output

### Switch ▪ Convert ▪ 1080P Up-Scaling

#### HT-6100



## INTRODUCTION

Congratulations on your purchase of the HT-6100 HDMI Media Center. Your satisfaction is very important to us. HT-6100 is the product that can offer the best integration solution for your home entertainment equipment.

HT-6100 is designed for HDMI, VGA and analog sources selection. It solves the inconvenience of changing cable connection. HT-6100 is a switcher, converter and scaling box. It enables users to keep their non-HDMI source devices to use with more advanced HDMI input device. With HT-6100, the VGA, composite, component, and s-video signals can be converted to HDMI signal.

## FEATURES AND CONTENTS

For the best performance of HT-6100, please read this manual carefully and keep it for further information.

### Features:

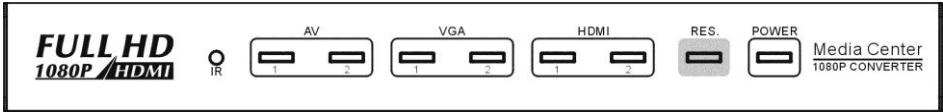
- HDMI™ (v1.3, HDMI Input Pixel Clock Rate: 25MHz ~ 225 MHz)
- Support video up scaling to 1080P (Pixel Clock Rate: 25MHz ~ 165 MHz)
- 3D Y/C separation Comb-filter
- 10 bits video processor for A/D conversion
- Support IR remote control and manual control
- Convert analog audio and video signal to digital HDMI™ signal; and switch among 6 sources, which including 2 HDMI™, 2 analog (AV, s-video, or YPbPr) and 2 VGA.
- Gold plated connectors
- Support HDCP compliant devices (HDMI inputs)
- Fashionable metal housing design, free of interference

### Content of Package

- DC 5V/4A Power Adaptor
- HT-6100 Media Center main unit
- IR Remote Controller
- User's manual

# ILLUSTRATION

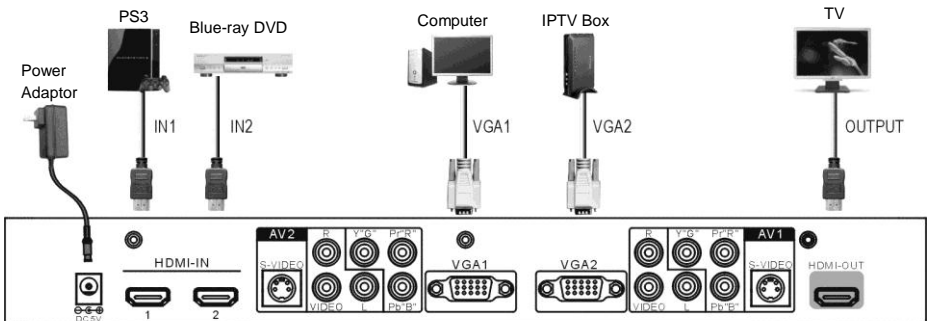
## Front Panel



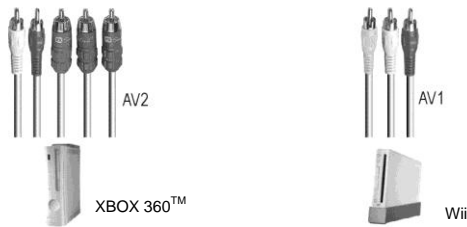
## Rear Panel



# CONNECTION ILLUSTRATION



## Rear Panel



# CONNECTION AND OPERATION

## Connect your devices to HT-6100 Media Center

1. Connect the HDMI cables from your displays (monitor or projector) to the outputs of the HT-6100.
2. Connect the input sources to the input ports of HT-6100. (You can connect 2 HDMI sources to the HDMI inputs of HT-6100, 2 VGA sources to the VGA inputs of HT-6100, and 2 analog sources to the analog inputs of HT-6100.)
3. Plug the power adaptor to an AC power outlet. Plug the 5VDC output power plug into the DC jack of HT-6100 Media Center.
4. Turn on the power of your source device that you are going to use.
5. Check the power of HT-6100. If the power LED light is not on, please press the power key to turn on the power of HT-6100.
6. Check the input indication LED at the front panel. Please press the button of input source to choose input source. For example, if your want to choose HDMI input 1, please press the key with "1" in the HDMI.
7. Use the "RES." key to adjust the resolution.
8. Use IR Remote control for more control features.

- HT-6100 is designed with 2 HDMI, 2 VGA and 2 analog sources selection.
  - HDMI input digital audio support 5.1 channels, 48 kHz. (HDMI Output: 2 channels, 48 kHz digital audio)
  - The AV1 and AV2 R/L audio input will be converted to 2 channels, 48 kHz digital audio for HDMI output.
  - For each analog video connection, you can choose to connect Composite Video, S-video or Component Video. A RCA type audio input is provided for use as the audio input of Composite, S-video or Component.
  - The VGA input support VGA video to HDMI video conversion only. If you need audio, please connect a speaker or other sound device to the audio output of your VGA sources.
  - **VGA input supports resolution:** 640×480(60/72/75 Hz), 800×600(60/72/75 Hz), 1024×768(60/70/75 Hz), 1280×768(60 Hz), 1280×960(60 Hz), 1280×1024(60/75 Hz), 1400×1050(60 Hz), 1440×900(60 Hz), 1360×768(60 Hz), 1920×1080(60 Hz), DOS720×400(70 Hz), MAC640×480(67 Hz), MAC832×624(75), MAC1024×768(75 Hz)
    - \* *Due to various resolution designs of VGA input devices, you may encounter some difficulty to show the pictures on screen in some case. If you cannot see the pictures, it is suggested to try with a different VGA resolution.*
    - \* *The picture can not show in full screen or the picture shows over the screen when use VGA input, you may use Auto Frame or Full TV Frame function of your display device to adjust it, if the function applies to your TV.*
  - **HDMI input supports resolution:** 480i, 480p, 576i, 576p, 720p (50/60 Hz), 1080i (50/60 Hz), 1080p (50/60 Hz); 640×480 (60 Hz), 800×600 (60 Hz), 1024×768 (60 Hz), 1280×720 (60 Hz), 1280×1024 (60 Hz), 1920×1080 (60 Hz)
  - **YPbPr input supports resolution:** 480i, 480p, 576i, 576p, 720p(50/60 Hz), 1080i(50/60 Hz), 1080p(50/60 Hz)
  - **AV / S-video input support:** NTSC, PAL
  - **HDMI output supports resolution:** 480p (60 Hz), 720p (60 Hz), 1080i (60 Hz), 1080p (60 Hz)
- Note: 1.** HT-6100 is designed mainly for up-scaling the HDMI Output signal to 480P, 720P and 1080P. The function of 1080i is a simulated sub-function. Users are strongly recommended to use 720P and 1080P up-scaling to avoid the compatibility issue between TV and HT-6100.
- 2.** HT-6100 is designed to support the input resolution listed above. But you may encounter some difficulty in compatibility due to varied designs of sources and display devices. When this occurs, please try to use different input resolution.

## Operations of HT-6100 Media Center

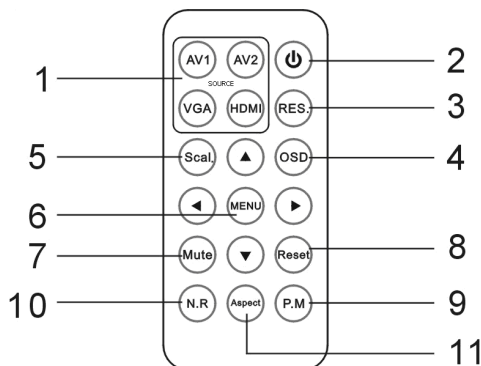
### Manual Operation mode

- **Power On:** Please use the power key to turn on the HT-6100 from standby mode. The LED indication light of power will be on.
- **Power Off:** Please use the power key to turn the HT-6100 into standby mode. The LED indication light of power will be off.
- **Selection:** Press the selection key of each input source to select the inputs. After you press the selection key, the selection key will be light on to indicate the input source device.
  1. Press AV1 key to select analog video input between Composite 1, S-video 1, and Component 1.
  2. Press AV2 key to select analog video input between Composite 2, S-video 2, and Component 2.
  3. Press VGA1 key to select VGA 1 video input.
  4. Press VGA2 key to select VGA 2 video input.
  5. Press HDMI1 key to select HDMI 1 input.
  6. Press HDMI2 key to select HDMI 2 input.
- **Resolution setting:** 480P, 720P, 1080i, 1080P.

Use "RES." key at front panel to set the output resolution. The sequence is in a circling order.

If the picture can not show on screen, the TV may not support that resolution you select. Please change to another resolution. For example, if the TV can not show while you select 1080i, please try to change resolution to 720p, 1080p etc. to meet the resolution and format that TV supports.

### IR Remote Control Operation mode



1. Input Selection key: AV1, AV2, VGA, HDMI
  - Press “AV1” for Video 1, S-video 1, YPbPr 1 video selection. The sequence is in a circulating order. Started from Video 1.
  - Press “AV2” for Video 2, S-video 2, YPbPr 2 video selection. The sequence is in a circulating order. Started from Video 2.
  - \* *Analog audio (R/L audio) inputs will be converted to digital audio (R/L audio) for HDMI output.*
  - Press “VGA” for VGA video selection. You can choose between VGA 1 and VGA 2.
  - Press “HDMI” for HDMI selection. You can choose between HDMI 1 and HDMI 2.
2. Power ON/OFF
3. 【RES.】 Resolution setting: 480P, 720P, 1080i, 1080P. Use “RES.” key to set the scaling resolution. The sequence is in a circulating order.  
If the picture can not show on screen, the TV may not support the resolution you select. Please change to another resolution. For example, if the TV can not show while you select 1080i, please try to change the resolution to 720p or 1080p etc.
4. 【OSD】 On Screen Display information. Show Input source and output resolution info.
5. 【Scal.】 Aspect ratio information display. Show aspect ration information.
6. 【MENU】 Menu of Brightness, Contrast, Saturation, Hue, and Sharpness adjustment.
  - Press the “MENU” button, a menu will show on the TV screen for setting adjustment.
  - Press down button to enter the setting. The selected item will show in yellow color.
  - Use up and down button to select different items, and use left and right button to adjust the setting. The preset value is 50. The setting range is from 0 to 100.
  - After finish the setting, press the “MENU” button again to leave to the menu setting mode.
7. 【Mute】 Press “Mute” button to mute the audio output.
8. 【Reset】 System Reset. Press the “Reset” button the system will set to original setting.
9. 【P.M】 Picture mode . Press “P.M” for picture mode selection. Three picture modes (Clear, Normal, and Dark) are available for selection.
10. 【N.R】 Noise reduction. Press “N.R” for noise reduction. Three levels of noise reduction mode are available for selection.
11. 【Aspect】 Press “Aspect” key to transfer 4:3 aspect ratio to 16:9 aspect ratio.
  - \* ***When the aspect ratio of original input signal is 16:9, only 16:9 aspect ratio will be showed.***
  - \* ***VGA input does not support aspect ratio adjustment.***

Note: The left and right keys on the remote control can be used as volume control keys. Press the left key to turn down the volume. Press the right key to turn up the volume.

## TROUBLE SHOOTING

1. When there is no picture present, please:
  - Check all the connection is correct and all connectors connect well.
  - Check the quality of connecting cable, and make sure the cable does not damage.
  - ***When use VGA as input source, due to various resolution designs of VGA input devices, you may encounter some difficulty to show the pictures on screen in some case. If you cannot see the pictures, it is suggested to try with a different VGA resolution.***
  - Reset the HT-6100.
2. When there is only picture displayed and without sound:
  - Check all the connection is correct and all connectors connect well.
  - Check your cable to see if it supports video transmission only or it is damaged.
  - HDCP may not match very well at first connection; please reset your HT-6100 again.
  - Do you connect any output to your Video recorder? HDCP will automatically lock up audio part.
3. When HT-6100 does not respond to remote control or manual control:
  - Please unplug the power cord to reset HT-6100.
4. When resolution could not show in 1080p?
  - Make sure your sources (HD Player) and displays are fully supporting 1080p.
5. When the TV could not show in 1080i? (“i” for interlaced scan)
  - LCD TV or other flat panel TV do not support “interlaced” video signal as CRT TV does. When 1080i video signal is delivered to LCD TV, the video signal must be de-interlaced before showing on TV screen. When up-scaling the video signal to 1080i, some of TV may not support the interlaced video format that is produced by HT-6100. If 1080i can not show on your TV, please change the resolution to 720p, 1080p etc. to match what TV supports.

## NOTICE

- Manufacturer reserves the right to make changes in the hardware, packaging and any accompanying documentation without prior written notice.
- HDMI, the HDMI Logo and High-Definition Multimedia Interface are trademarks or registered trademarks of HDMI Licensing LLC.
- HT-6100 incorporates HDMI™ technology.
- Trademarks and brand names are the properties of their respective owners.