

IR Distribution Over Coax Instruction Manual

The IR Distribution Over Coax work together to allow IR signals to be inserted onto a coax cable in one location and extracted from the coax in another location.

Features

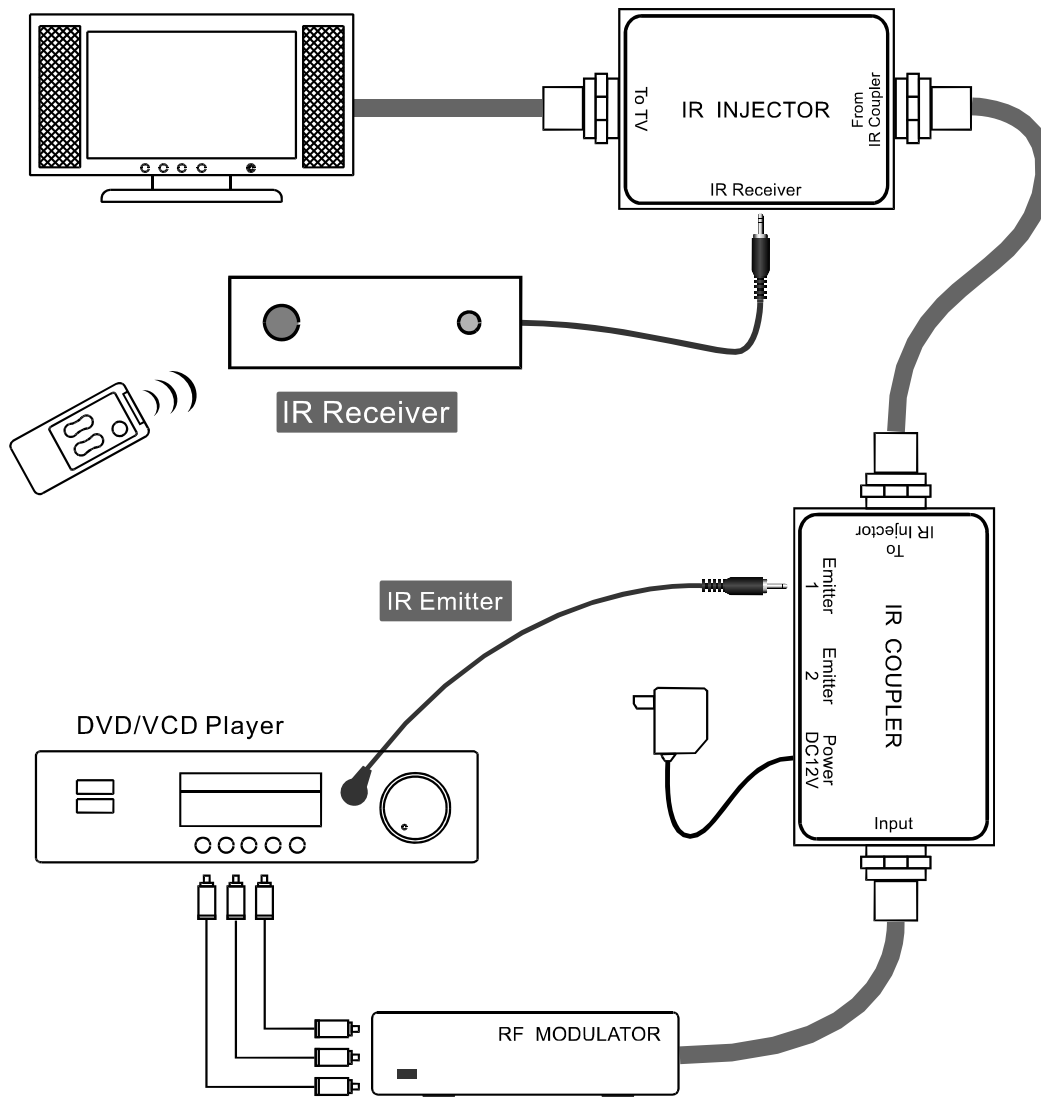
- Creates an IR system with existing wiring
- Power 4 IR receivers with one power supply
- Quick and easy installation

IR repeating concepts

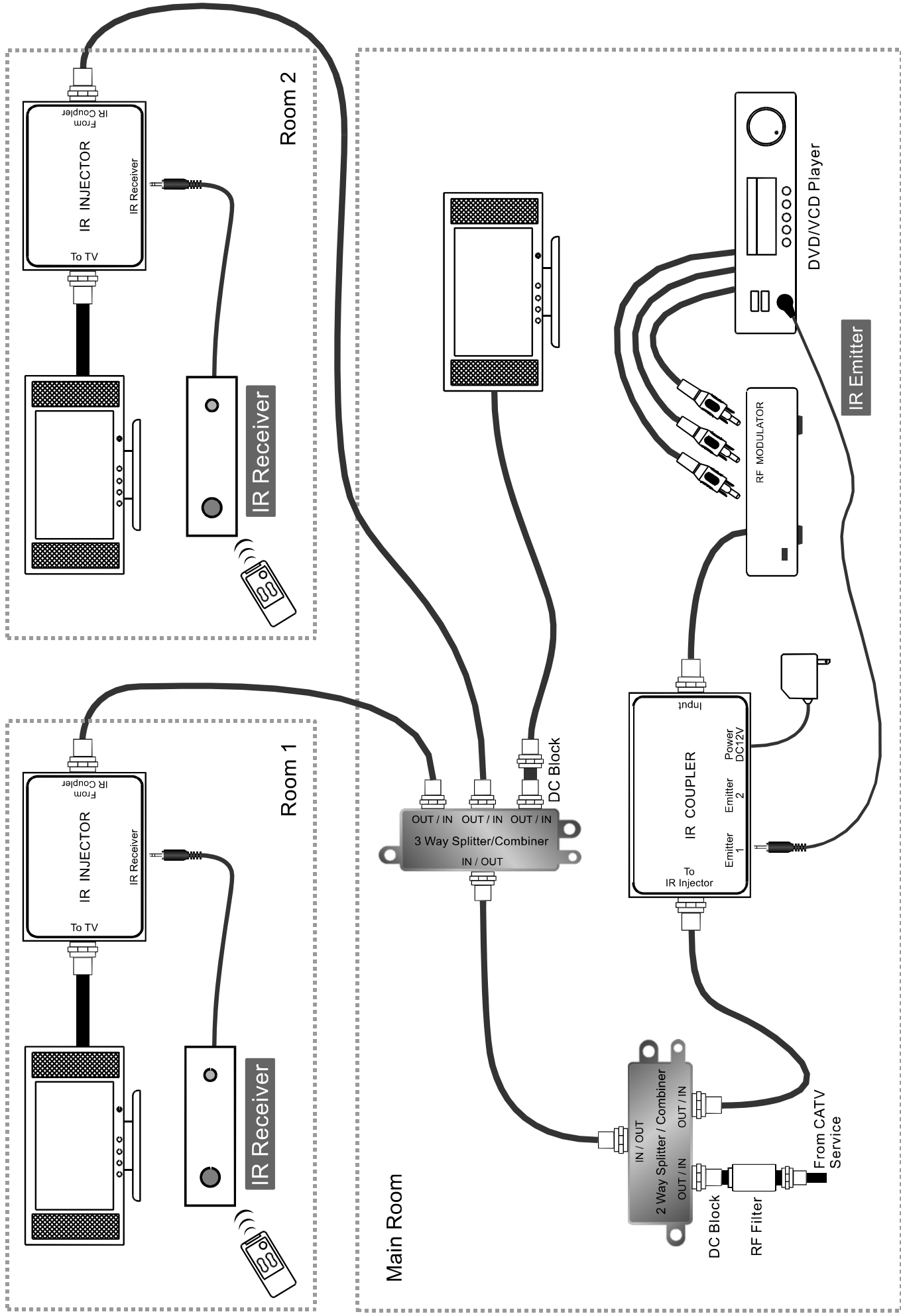
Most people are familiar with Infra-Red remote controls because they use them to operate their TV and other devices on a daily basis. However, some people may not be familiar with IR repeating. IR repeating allows the user to control devices which are not within the direct line of sight of the remote control. This is most commonly used in distributed audio/video systems where the source components are centrally located.

Basic IR Setup

A basic IR system is often used when an audio/video signal is distributed to a remote TV location using an RF modulator. The IR INJECTOR is located near the TV, providing a connection for an IR receiver, and the IR COUPLER is located near the audio/video source, providing an IR emitter output.

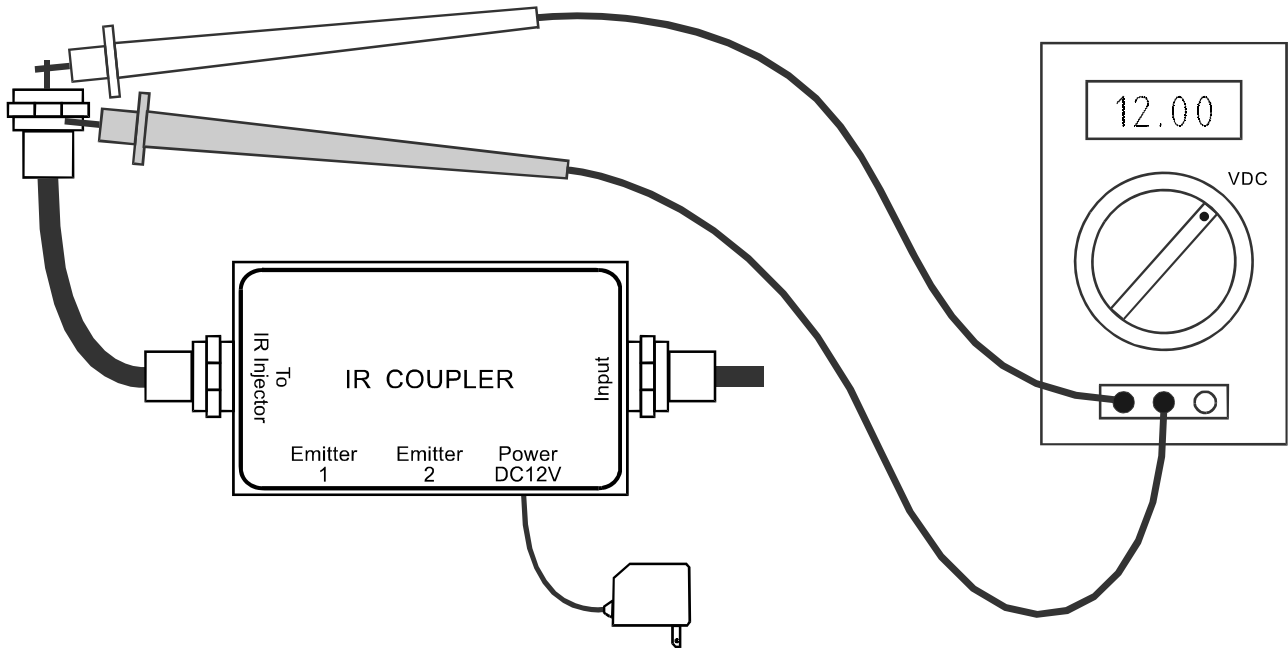


Joining your Modulator with CATV



Troubleshooting

If your IR system is not working, check to see if IR COUPLER is feeding at least approximately 12 Volts DC onto the coax between the shield and center pin. (Any voltage between 8-12 VDC is OK). If there is no voltage between the center pin and shield, check the connectors on each end of the coax.



If you are troubleshooting a whole-house IR system and you measure approximately 8-12 Volts DC on the output of the IR COUPLER, but 0 Volts DC on the output of your RF splitter, check the following items:

1. Make sure you are using a DC passing splitter. Traditional splitters will short out DC voltage traveling on the coax and prevent your IR system from working.
2. Make sure that there are DC blocks on any output from the RF splitter that will not be connected to an IR INJECTOR. If outputs from the splitter are connected directly to TV sets without going through a IR INJECTOR or DC block, the system voltage will be shorted out by the input of the TV set.
3. Double check the fittings at the end of your coax cables. If a little bit of shielding is touching the center pin, the voltage will be shorted out and the system will not work.

Don't worry. The IR COUPLER has a current limiting circuit. If the IR COUPLER is shorted (due to a bad connection or an on-DC passing splitter) nothing will be harmed.

