

1-HDMI Wall Plate / 2- HDMI Wall Plate

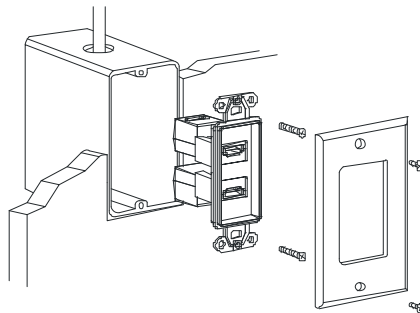
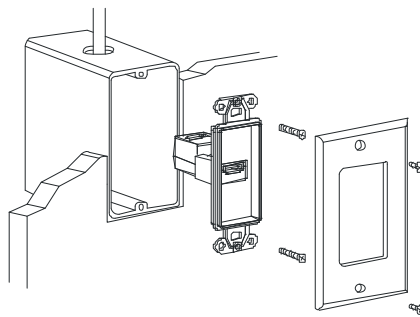
PARTS SUPPLIED:

Mounting bolts (2)
Short screws (2)

INSTALLATION

Choose a mounting location that has existing wiring or where you can easily run wire through the wall. You must use a standard electrical box.

1. Run HDMI cable(s) from the desired source through the wall into the electrical box.
2. Plug the HDMI cable into the HDMI jack on the back of the wall plate.
3. Put the wall plate on the electrical box, insert the supplied mounting bolts into the top and bottom large holes on the mounting bracket, then tighten them.
4. Place the decorated plate over the wall plate and secure it with the two supplied short screws.
5. Plug the receiving device's HDMI cable into the HDMI jack on the front of the wall plate.



1-HDMI Wall Plate / 2- HDMI Wall Plate

PARTS SUPPLIED:

Mounting bolts (2)
Short screws (2)

INSTALLATION

Choose a mounting location that has existing wiring or where you can easily run wire through the wall. You must use a standard electrical box.

1. Run HDMI cable(s) from the desired source through the wall into the electrical box.
2. Plug the HDMI cable into the HDMI jack on the back of the wall plate.
3. Put the wall plate on the electrical box, insert the supplied mounting bolts into the top and bottom large holes on the mounting bracket, then tighten them.
4. Place the decorated plate over the wall plate and secure it with the two supplied short screws.
5. Plug the receiving device's HDMI cable into the HDMI jack on the front of the wall plate.

